

C.I.P.**303 Sporting**

TAB.

II

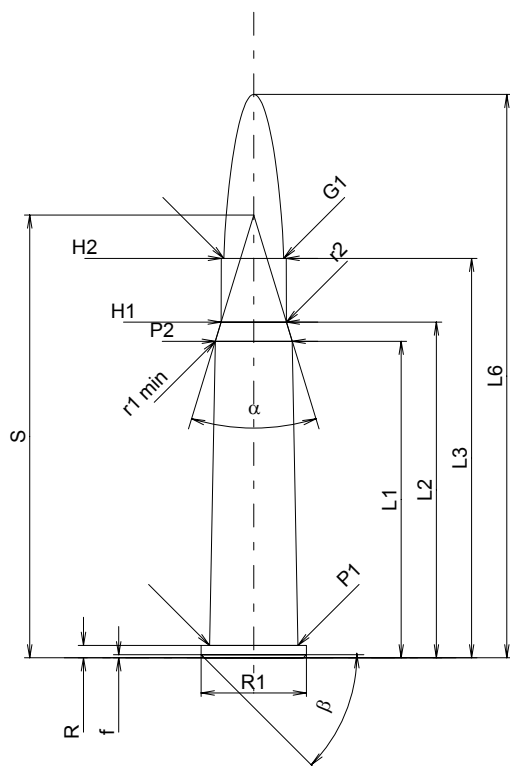
Date

00-11-13

Pays d'origine: FR

Révision

02-05-15

**CARTOUCHE MAXI****Longueurs**

L1 [*]	=	41.85
L2 [*]	=	44.39
L3 ¹⁾	=	52.82
L4	=	
L5	=	
L6	=	74.49

Colot

R ¹⁾	=	1.63	-0.25
R1	=	13.92	
R3	=		
E	=		
E1	=		
e min	=		
δ	=		
f	=	0.40	
β	=	45°	

Chambre à poudre

P1	=	11.70
P2 [*]	=	10.19

Cône de raccordement

α	=	33°56'08"
S	=	58.55
r1 min	=	2.29
r2	=	2.29

Collet

H1 [*]	=	8.64
H2 ¹⁾	=	8.59

Projectile

G1 ¹⁾	=	7.92
G2	=	
F	=	
L3+G ¹⁾	=	67.45

Pressions (Énergies)**Méthode transducteur**

Pmax	=	3300 bar
PK	=	3795 bar
PE	=	4125 bar
M	=	25.00
EE	=	2800 Joule

Autres indications

Fe ¹⁾	=	0.15
delta L	=	

CHAMBRE MINI**Longueurs**

L1 [*]	=	42.42
L2 [*]	=	44.44
L3 ¹⁾	=	52.82

Cuvette

R ¹⁾	=	1.63
R1	=	13.97
R2	=	
R3	=	
r	=	

Chambre à poudre

E	=	
P1 ¹⁾	=	11.74
P2 [*]	=	10.25

Cône de raccordement

α	=	40°29'20"
S	=	56.32
r1 max	=	
r2	=	

Collet

H1 [*]	=	8.76
H2 ¹⁾	=	8.66

Prise de rayures

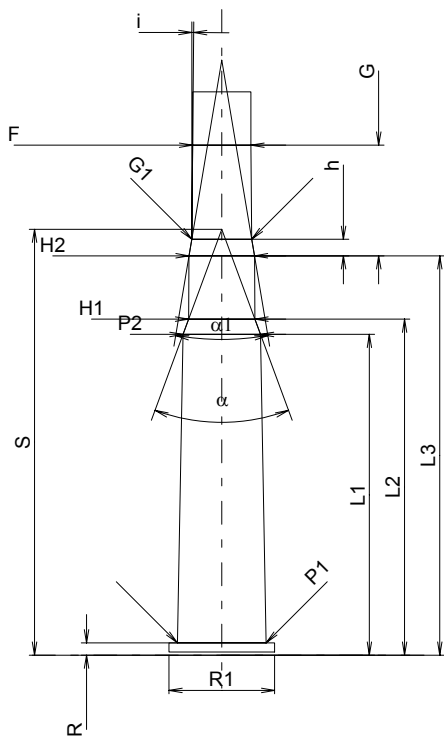
G1 ¹⁾ *	=	7.93
G ¹⁾ *	=	14.63
α1	=	19°00'36"
h [*]	=	2.18
s	=	
i ¹⁾	=	0°31'45"
w	=	

Canon

F ¹⁾ *	=	7.70
Z ¹⁾	=	7.98

Rayures

b	=	2.12
N	=	5
u	=	254.00
Q	=	48.07 mm ²



Échelle 1:1

Dimensions en << mm >>
Dimensions et tolérances pour les canons
d'épreuve: Voyez Annexe R 1.

Notes: 1) A' contrôler pour la sécurité
* Dimensions de base